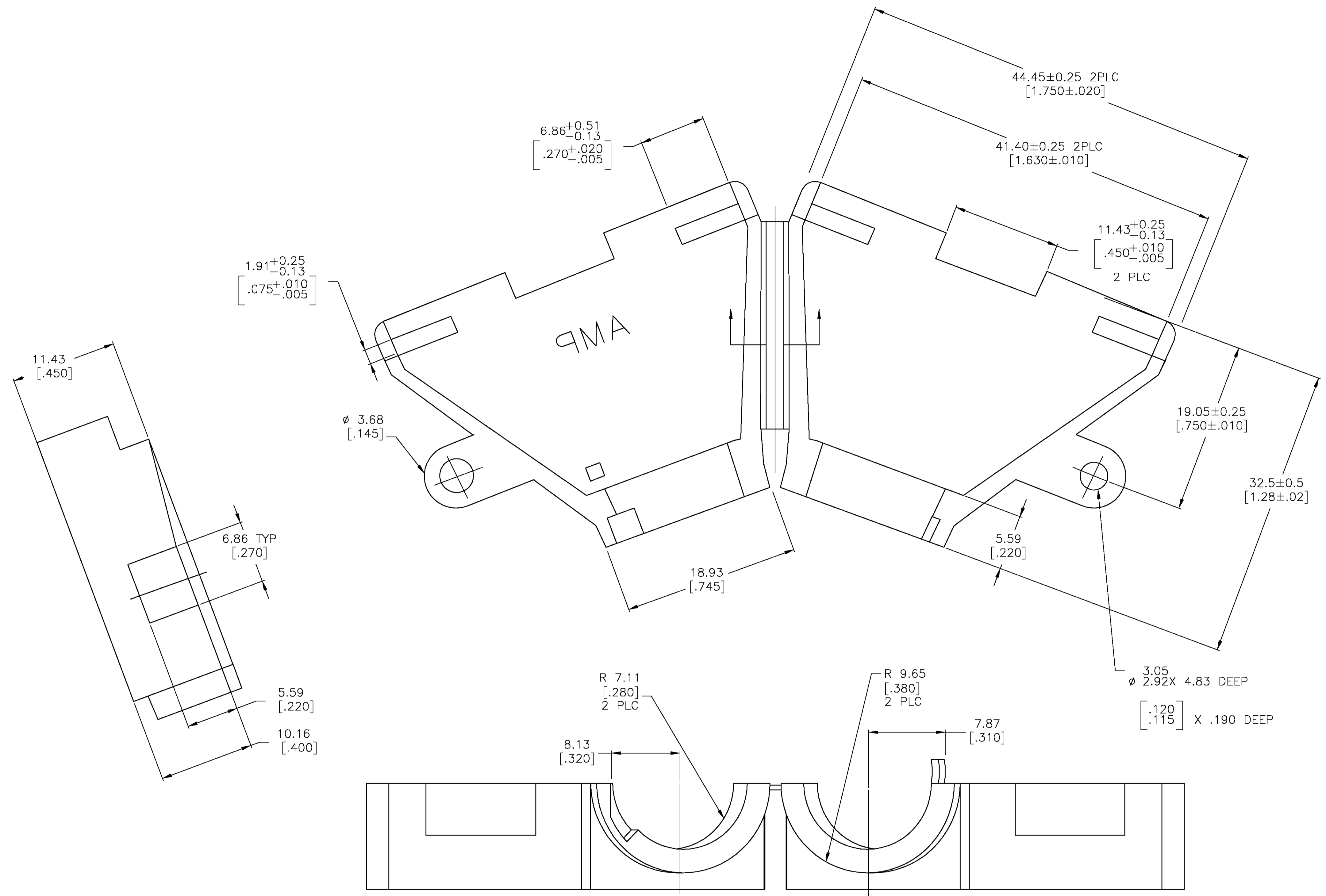
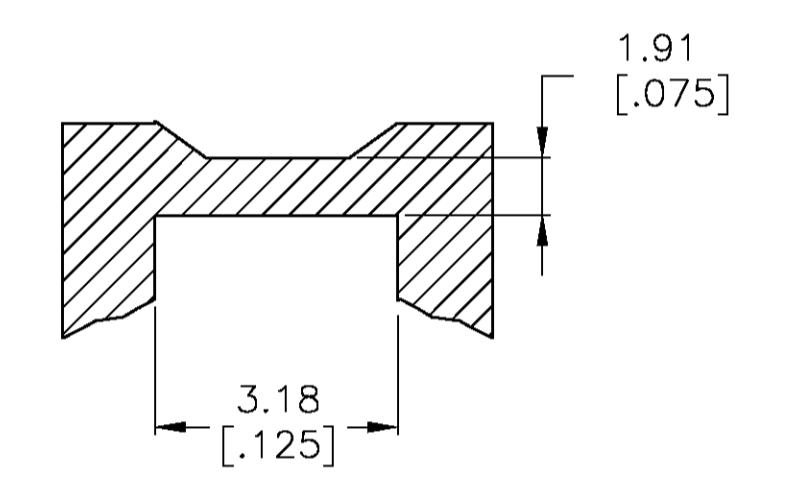


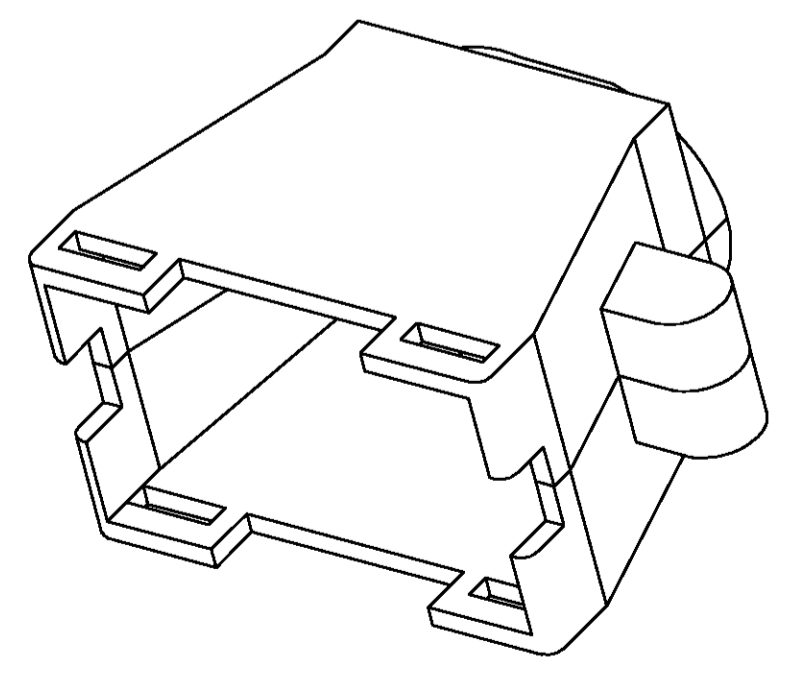
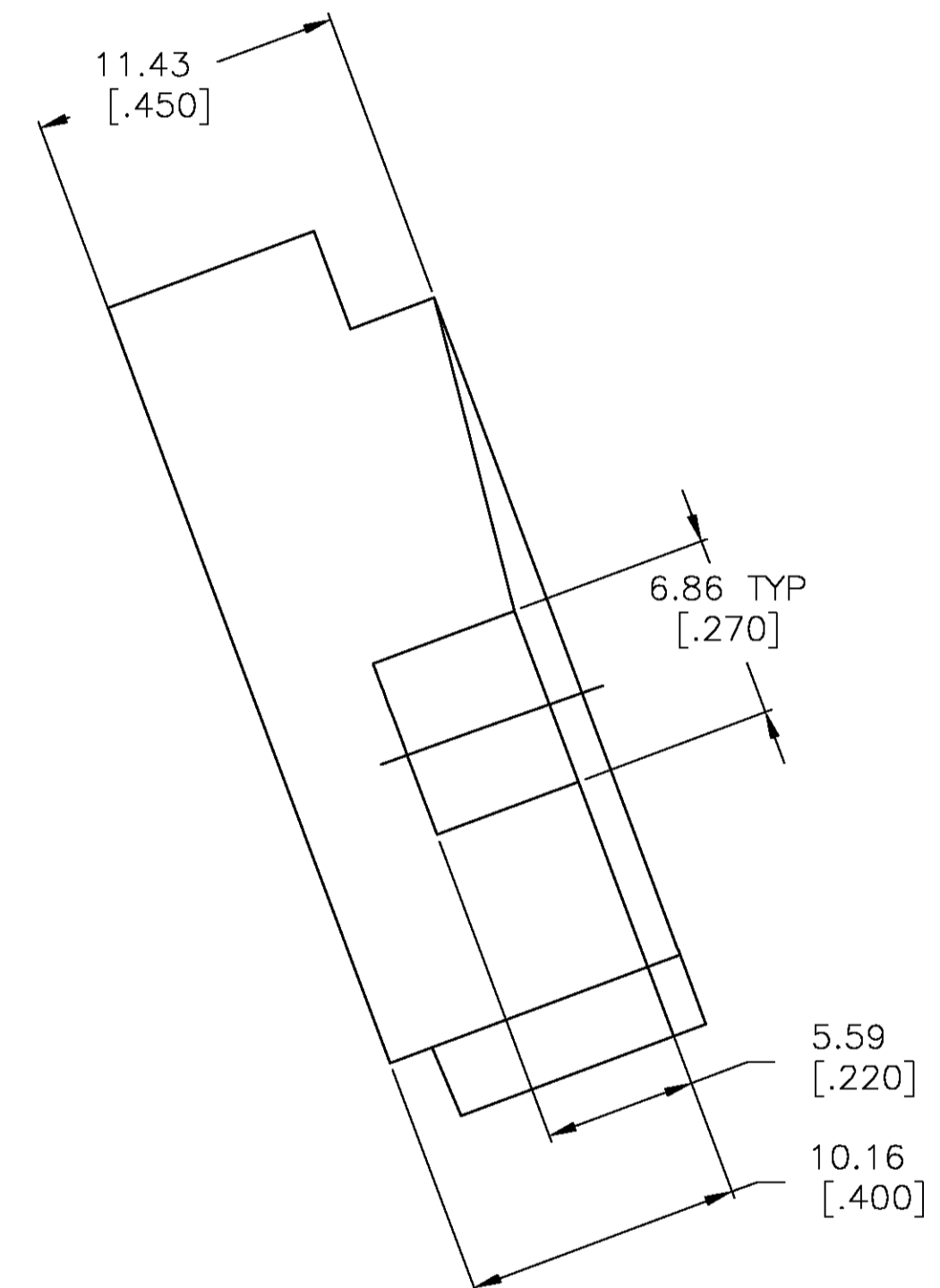
LOC		DIST		REVISIONS			
P	LR	DESCRIPTION	DATE	BY	APPD		
P		REVISED PER EC 0G3B 0770 04	22-JUN-05	HMR	RKW		



- REQUIRES A #6 PAN HEAD TYPE "B" SELF TAPPING PAN HEAD SCREW, 9.53 [.375] LONG.
- DIMENSIONS IN BRACKETS ARE IN INCHES.



SECTION A-A
SCALE 10:1



3-DIMENSIONAL MODEL NTS

METRIC

BLACK	1-480594-9
BRICK RED	480594-1
COLOR	PART NO

THIS DRAWING IS A CONTROLLED DOCUMENT.		DWG	K. SALMON	9-21-93		Tyco Electronics Corporation Harrisburg, Pa 17105-3608	
DIMENSIONS: mm [INCHES]		CHK	R. SWING	9-21-93		NAME	
TOLERANCES UNLESS OTHERWISE SPECIFIED:		APVD	W. LONG	7-20-94	PRODUCT SPEC		STRAIN RELIEF, HINGED, 36 POSITION
0 PLC	±	APPLICATION SPEC		SIZE		CAGE CODE	DRAWING NO
1 PLC	±	WEIGHT		A1		00779	C=480594
2 PLC	±	CUSTOMER DRAWING		SCALE		1:1	SHEET 1 OF 1
3 PLC	± 0.13 [.005]			REV		P	
4 PLC	±						
ANGLES	±						
FINISH							